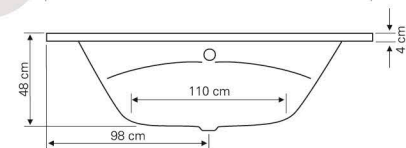
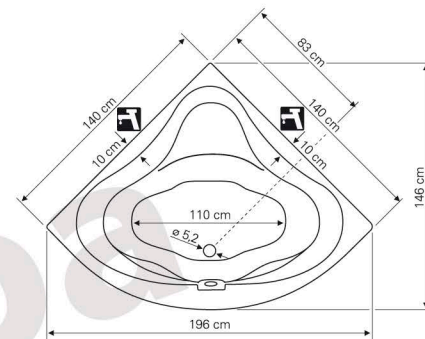


Caracas

140x140 - 2007

Technical data



- Optimal quantity of bathing water - 150 lit

