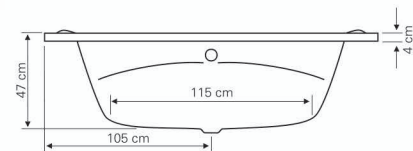
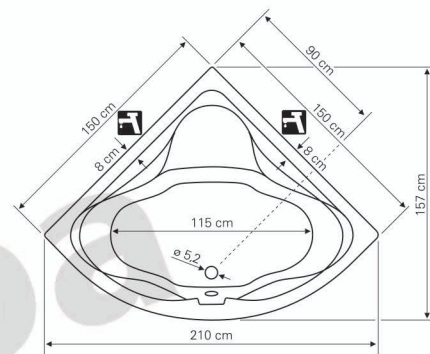


Caracas

150x150 - 2019

Technical data



• Optimal quantity of bathing water - 190 lit

